

REVISIONS	by
A. DOOR OPENING: 12/6/18	DWK



THIS DRAWING AND ALL PARTS THEREOF IS THE EXCLUSIVE PROPERTY OF FIRE FACILITIES, INC.
 314 WILBURN ROAD, SUN PRAIRIE, WI 53590
 OFFICE: (608) 327-4100 FAX (608) 834-1843
 AND MAY NOT BE REPRODUCED IN WHOLE OR PART WITHOUT WRITTEN PERMISSION.

FIRE FACILITIES
 STEEL FIRE TRAINING TOWERS

FIRE FACILITIES, INC.
 314 WILBURN ROAD, SUN PRAIRIE, WI 53590
 OFFICE: (608) 327-4100 FAX: (608) 834-1843
 TOLL FREE: (800) 929-3726 TOLL FREE FAX: (866) 639-7012
 WWW.FIREFACILITIES.COM; INFO@FIREFACILITIES.COM

Job Description: **WESCO MODEL WH-2**
 CUSTOM WINCHESTER, VA

Date: NOV. 12, 2018
 Drawn by: DWK
 Checked by:
 Scale: SHOWN
 Order No. FTE-733 / 208929
 Sheet No.

CONCRETE & REINFORCING STEEL SPECIFICATIONS

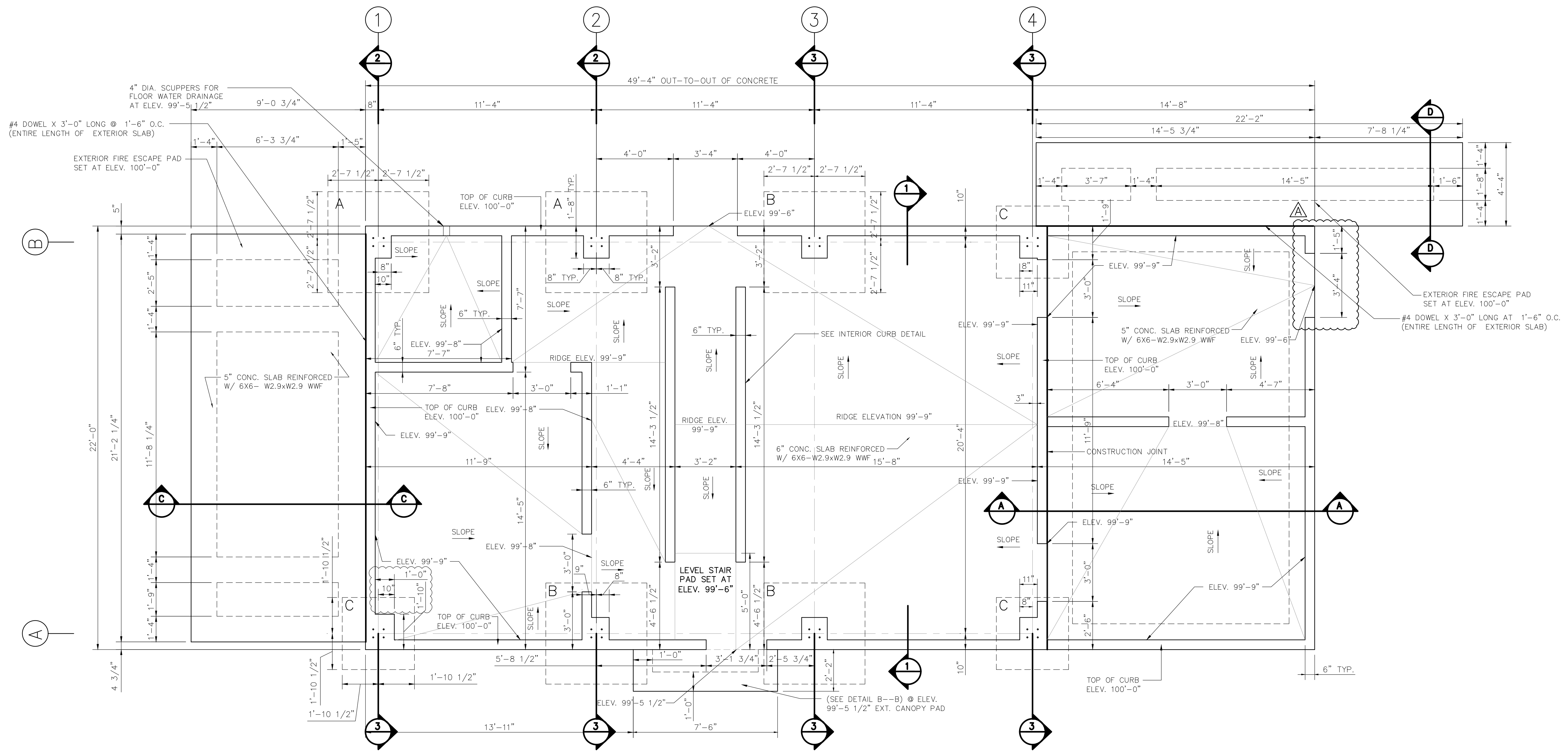
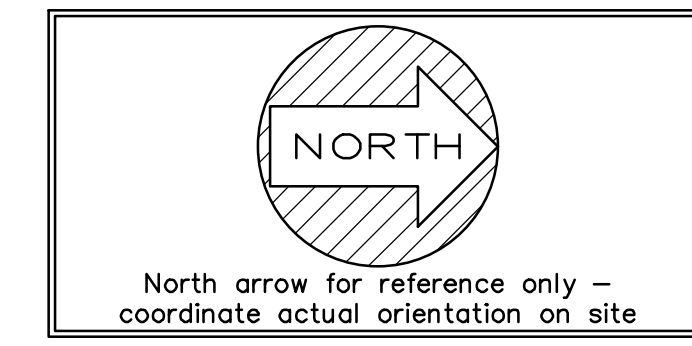
- SCHEDULE OF CONCRETE MIX REQUIREMENTS:

USE	28 DAY STRENGTH	SLUMP (INCH)	MAX AGGREGATE (INCH)
FLOOR SLABS	3000 PSI	3"	3/4"
WALLS & PIERS	3000 PSI	5"	3/4"
FOOTINGS/MATS	3000 PSI	5"	1 1/2"
- CONCRETE EXPOSED TO WEATHER (OUTSIDE SLABS, FLOOR SLABS, CURBS, ETC.) SHALL CONTAIN 4 TO 7 PERCENT AIR BY VOLUME.
- NON-FROST-SUSCEPTIBLE FILL SHALL CONFORM TO ASCC 32-01 AND ASTM D422.
- CEMENT SHALL CONFORM TO ASTM C150, TYPE II; CONCRETE SHALL CONFORM TO ASTM C94.
- AGGREGATE SHALL CONFORM TO ASTM C-33.
- REINFORCING STEEL SHALL CONFORM TO ASTM A615-GRADE 60.
- WELDED WIRE FABRIC SHALL CONFORM TO ASTM A185.
- LAP ALL HORIZONTAL REINFORCING 3'-0" AT SIDE LAPS AND 1'-0" (HOOK) AT CORNERS, MIN. LAP ALL WELDED WIRE FABRIC 8" AT SIDE AND END LAPS.
- SITE SHALL BE PREPARED AS RECOMMENDED IN SOIL REPORT PREPARED BY TRIAD ENGINEERING, INC. OF WINCHESTER, VA ON AUGUST 12, 2016. FOUNDATION IS DESIGNED FOR A SOIL BEARING OF 3,000 PSF. PLEASE NOTIFY PROFESSIONAL IN CHARGE OF THE SOIL REPORT OF ANY UNUSUAL SOIL CONDITIONS.
- COMPACT FILL UNDER FLOOR SLABS 95% TO DENSITY PLACE 6 INCHES OF NON-FROST-SUSCEPTIBLE FILL UNDER ALL SLABS/GRADE BEAMS, REMOVE ALL MATERIAL UNDER THE FOOTINGS THAT DO NOT COMPLY WITH A SOIL BEARING PRESSURE OF 3,000 PSF. REPLACE THIS MATERIAL WITH ENGINEERED FILL UNDER ALL FOOTINGS (95% COMPACTION) IN 8" MAXIMUM LIFTS.
- PLACE CONTROL JOINTS AT 15'-0" O.C. MAXIMUM IN EACH DIRECTION FOR ALL FLOOR SLABS
- FIBERMESH SHOULD BE INCORPORATED IN ALL CONCRETE FLOOR SLABS TO MINIMIZE THERMAL CRACKING.

FOOTING SCHEDULE

MARK	SIZE	TOP STEEL		BOTTOM STEEL		PIER DOWELS
		LONGITUDINAL	TRANSVERSE	LONGITUDINAL	TRANSVERSE	
A	5'-3" X 5'-3" X 1'-6"	6 - #5'S	6 - #5'S	6 - #5'S	6 - #5'S	4 - #6'S
B	5'-3" X 5'-3" X 1'-6"	NONE	NONE	6 - #5'S	6 - #5'S	4 - #6'S
C	3'-9" X 3'-9" X 1'-6"	NONE	NONE	4 - #5'S	4 - #5'S	4 - #6'S

NOTES:
 1. TOP OF CURB ELEVATION IS 100'-0".
 TOP ELEVATION OF ALL FOOTINGS IS 98'-0".
 2. COORDINATE PLAN ELEVATIONS WITH SITE ELEVATIONS.

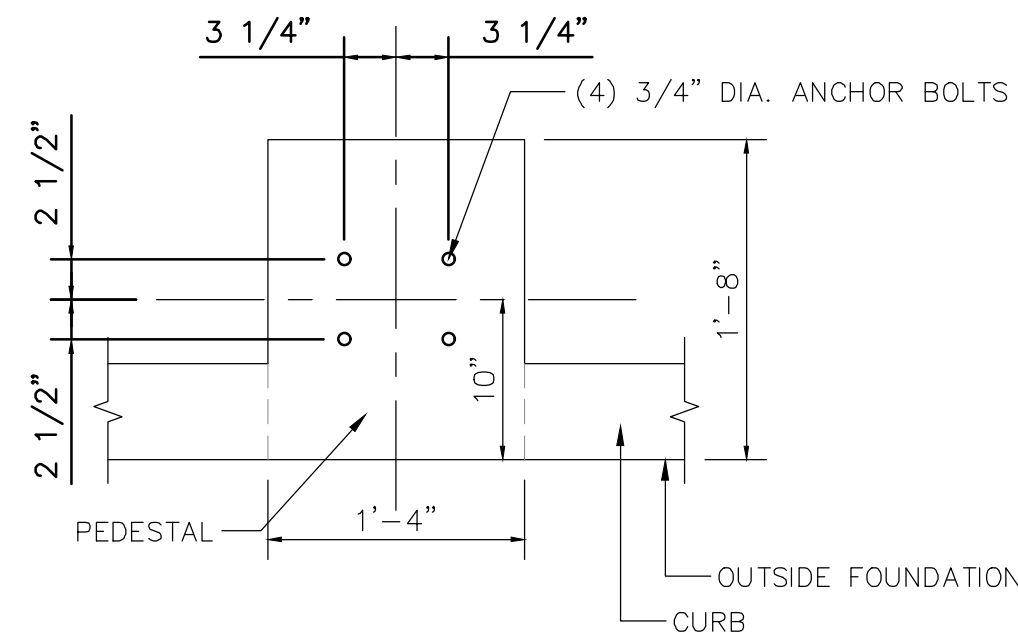
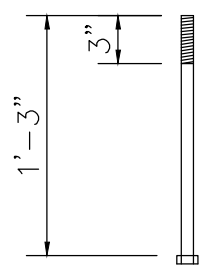


FOUNDATION PLAN

SCALE: 3/8" = 1'-0"

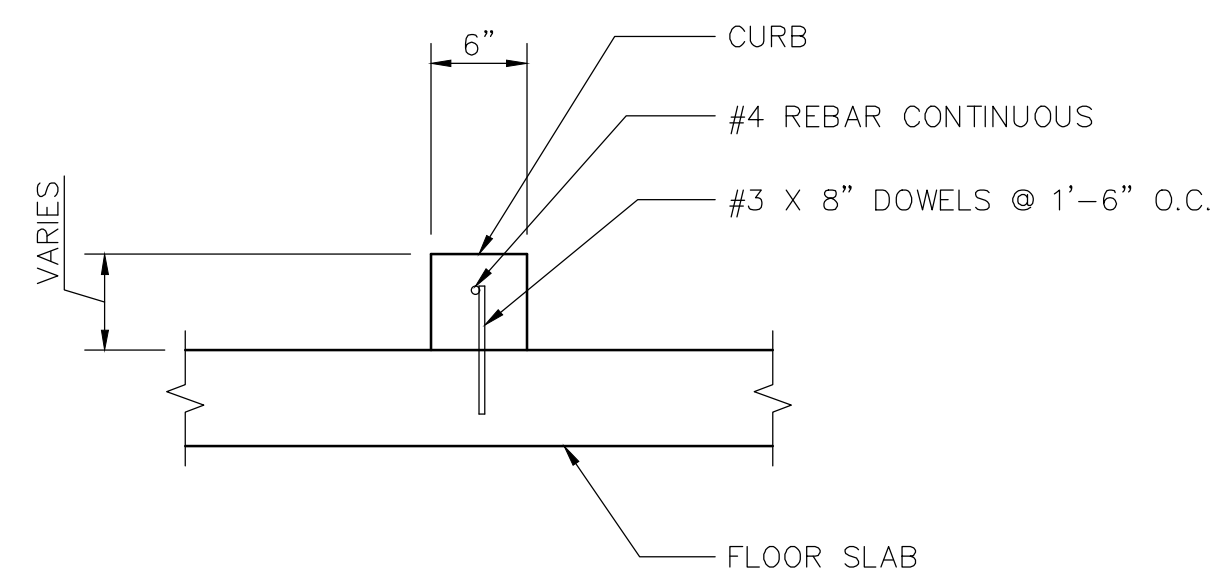
3/4" DIA. F1554 (GRADE 36) HEX HEAD BOLT

scale: 1" = 1'-0"



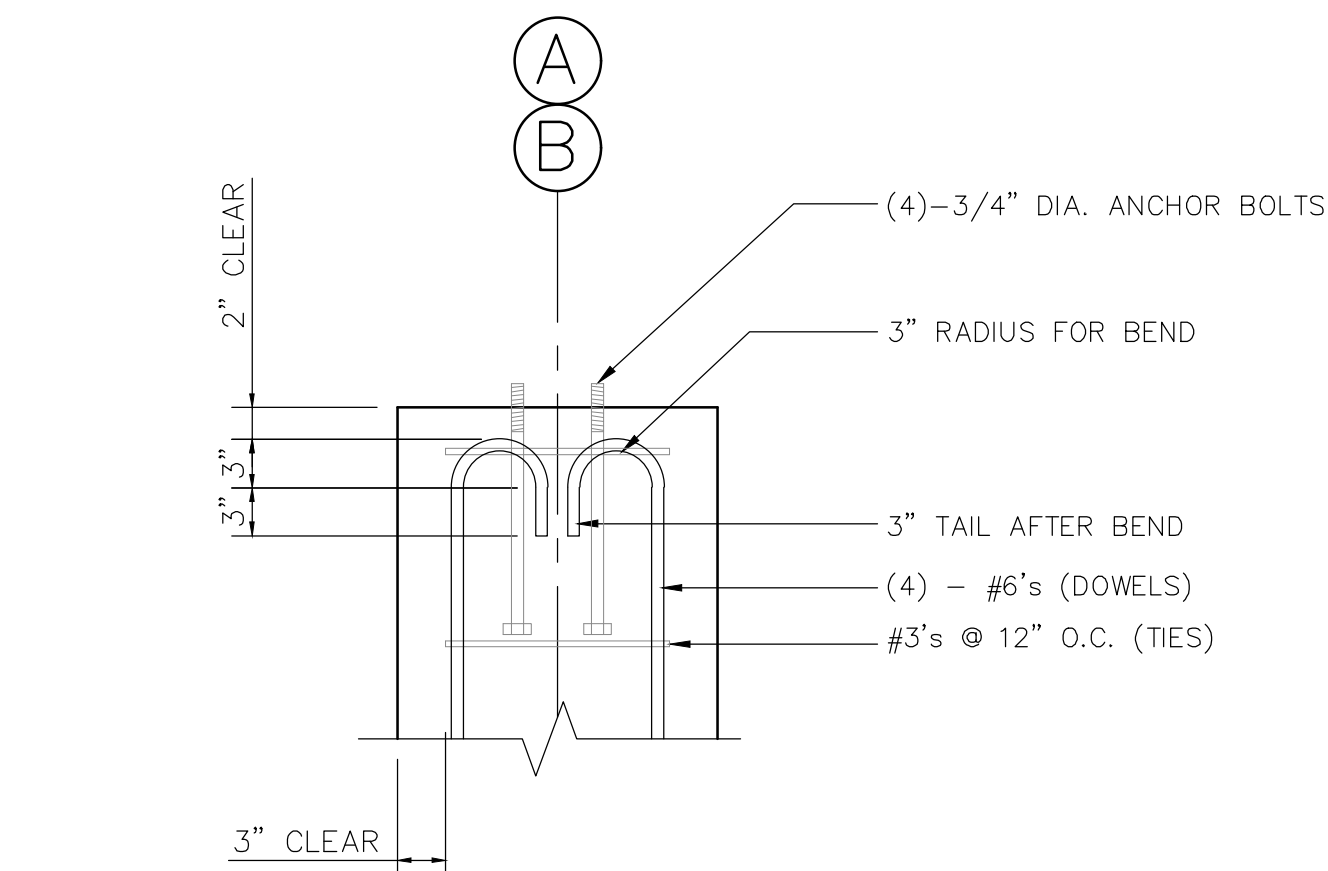
BOLT SECTION PATTERN

scale: 1" = 1'-0"



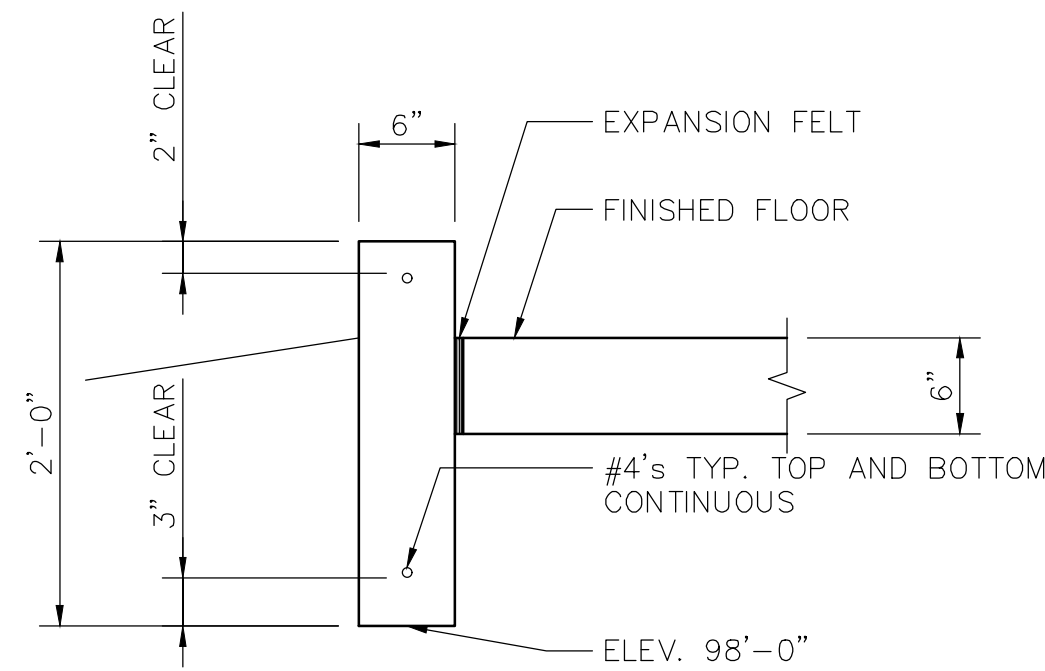
DETAIL FOR INTERIOR CURBS

scale: 1" = 1'-0"



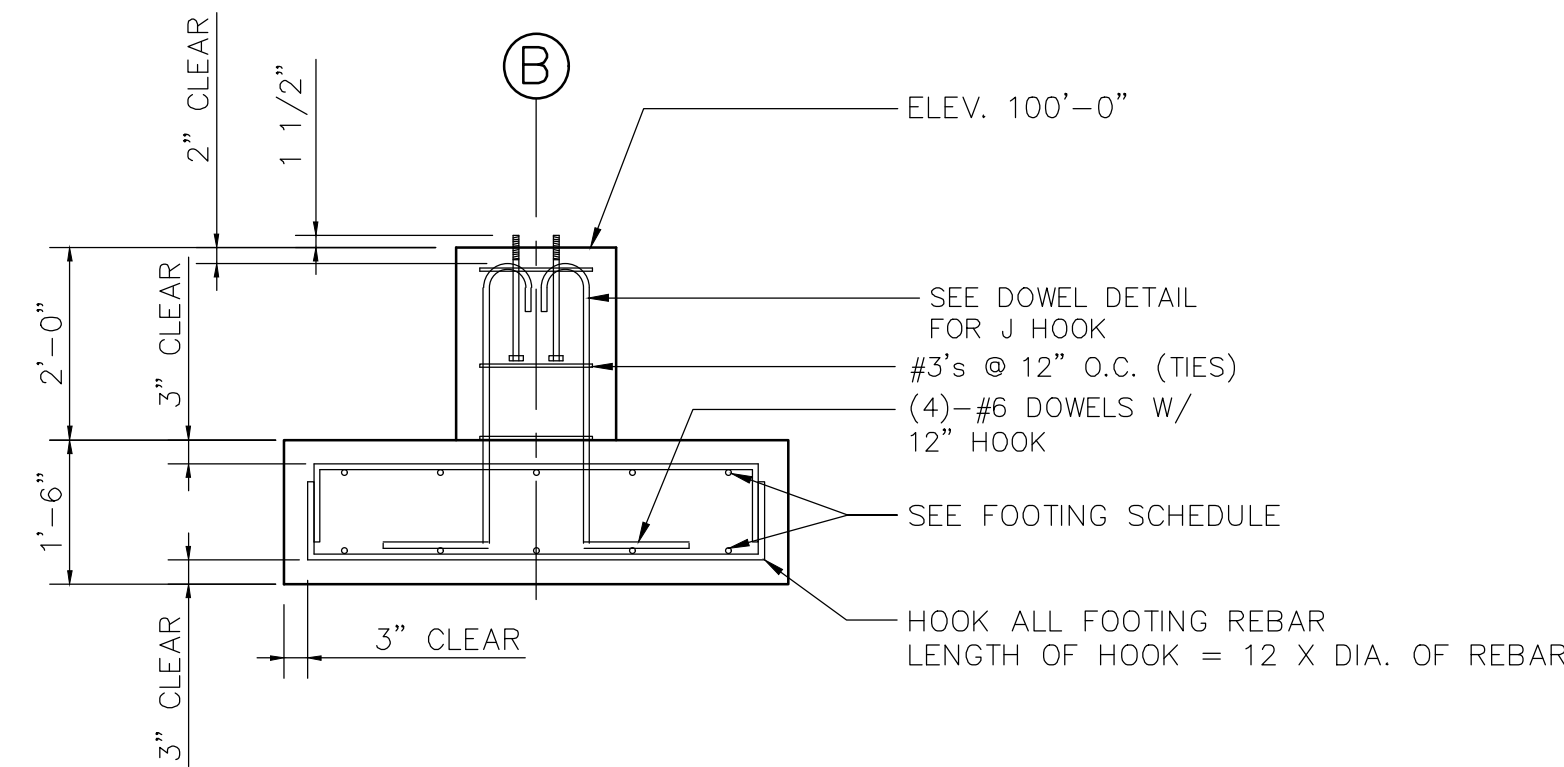
DOWEL DETAIL FOR J HOOK

scale: 1" = 1'-0"



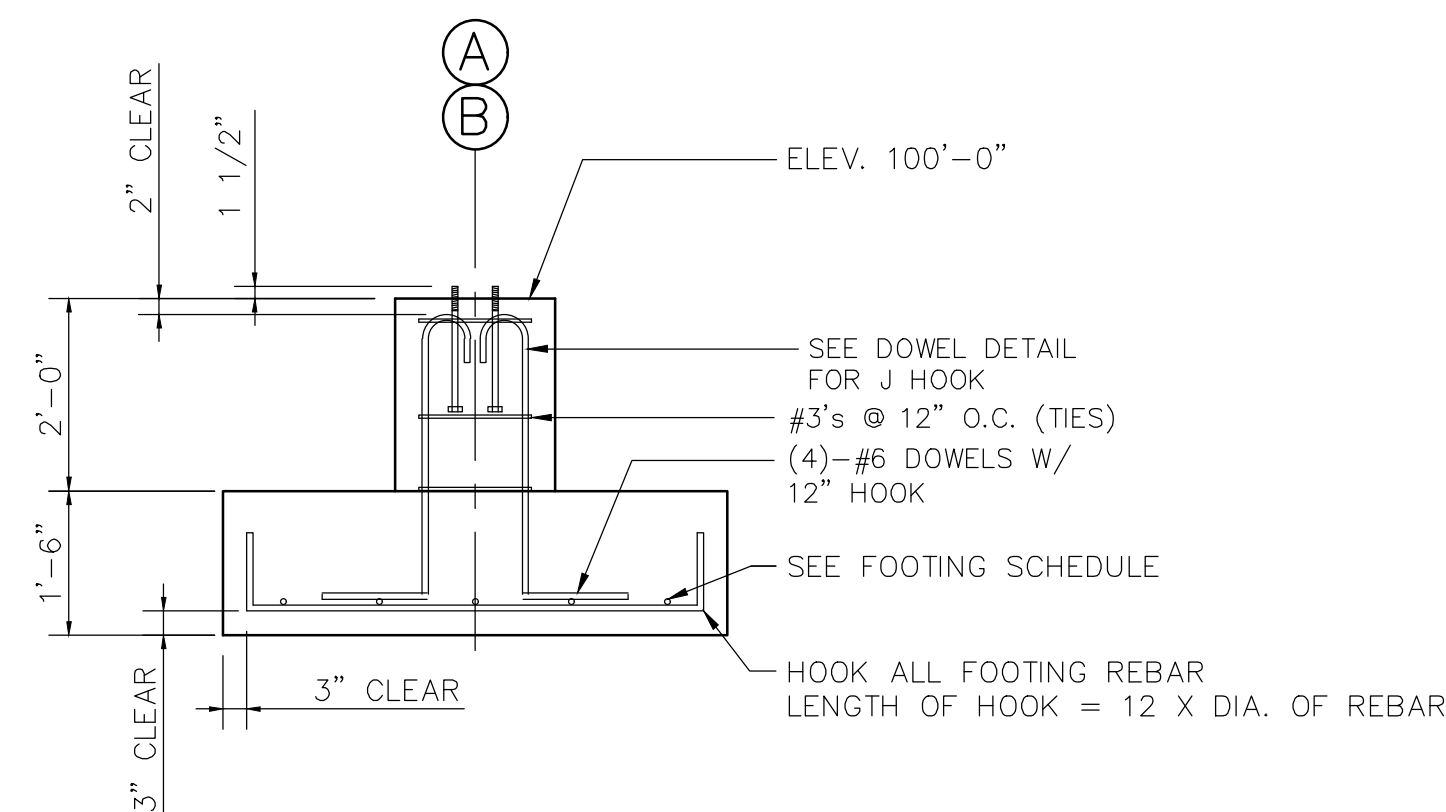
1 TYPICAL WALL SECTION

scale: 1" = 1'-0"



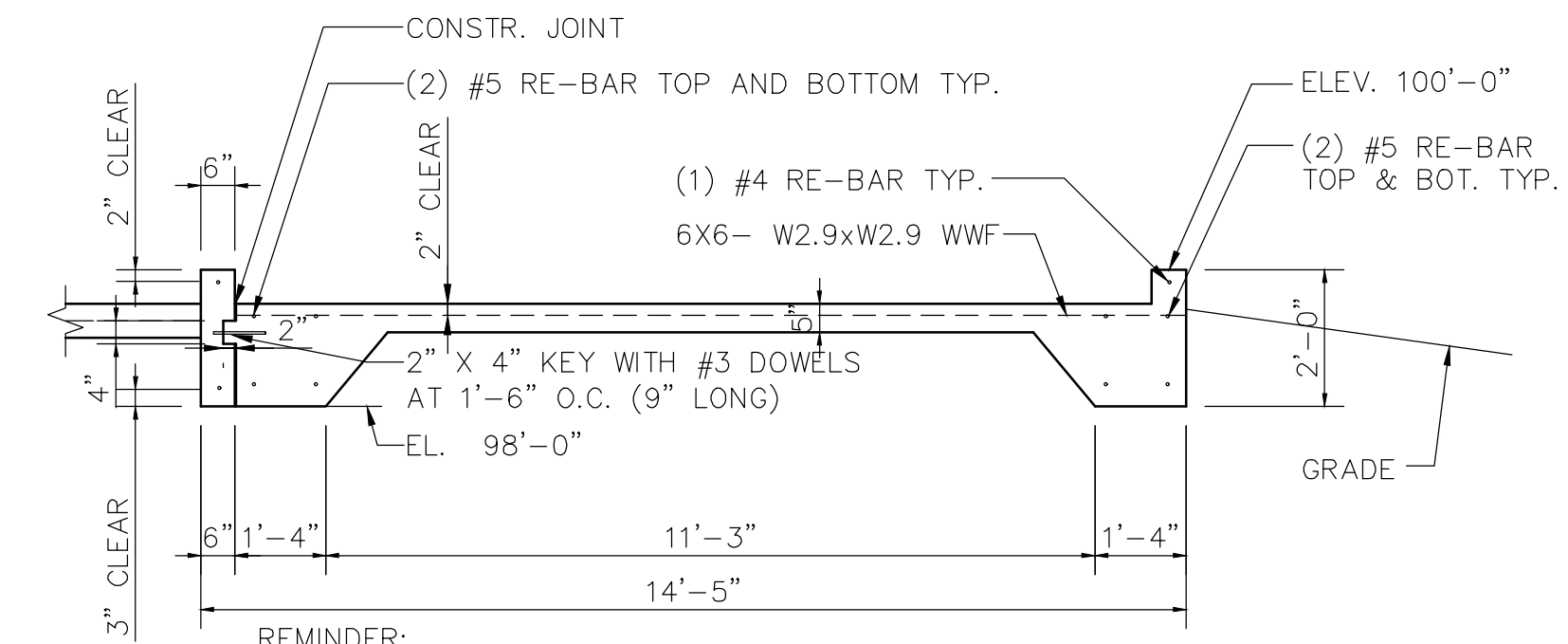
2 SECTION THROUGH PIER

scale: 1/2" = 1'-0"



3 SECTION THROUGH PIER

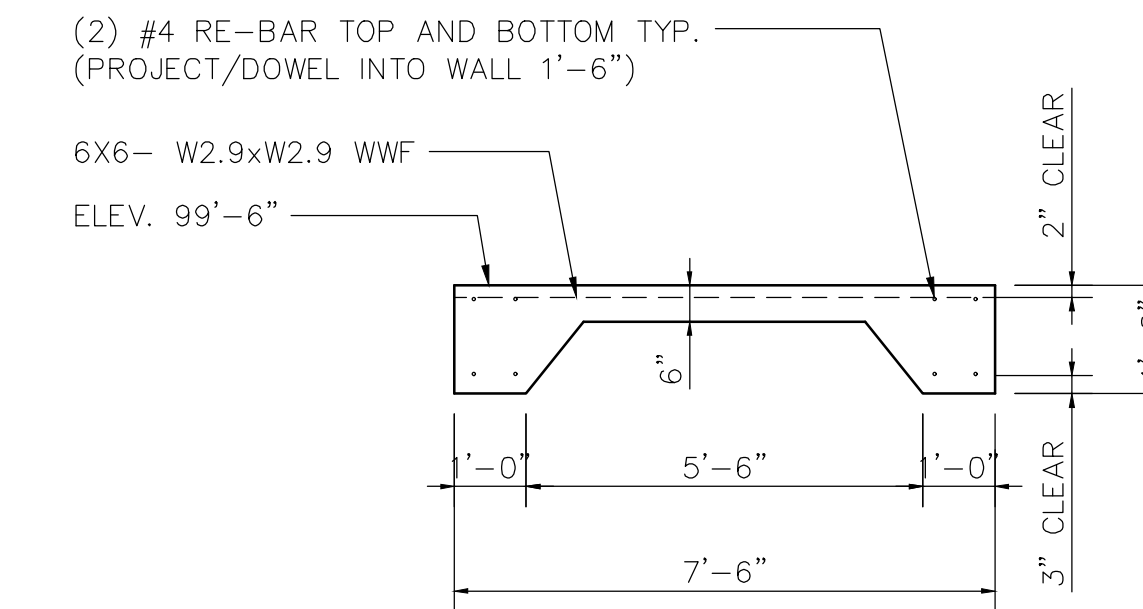
scale: 1/2" = 1'-0"



REMINDER:
PLACE 6" OF NON-FROST-SUSCEPTIBLE
FILL UNDER ALL SLABS AND GRADE BEAMS

TYPICAL SECTION A--A

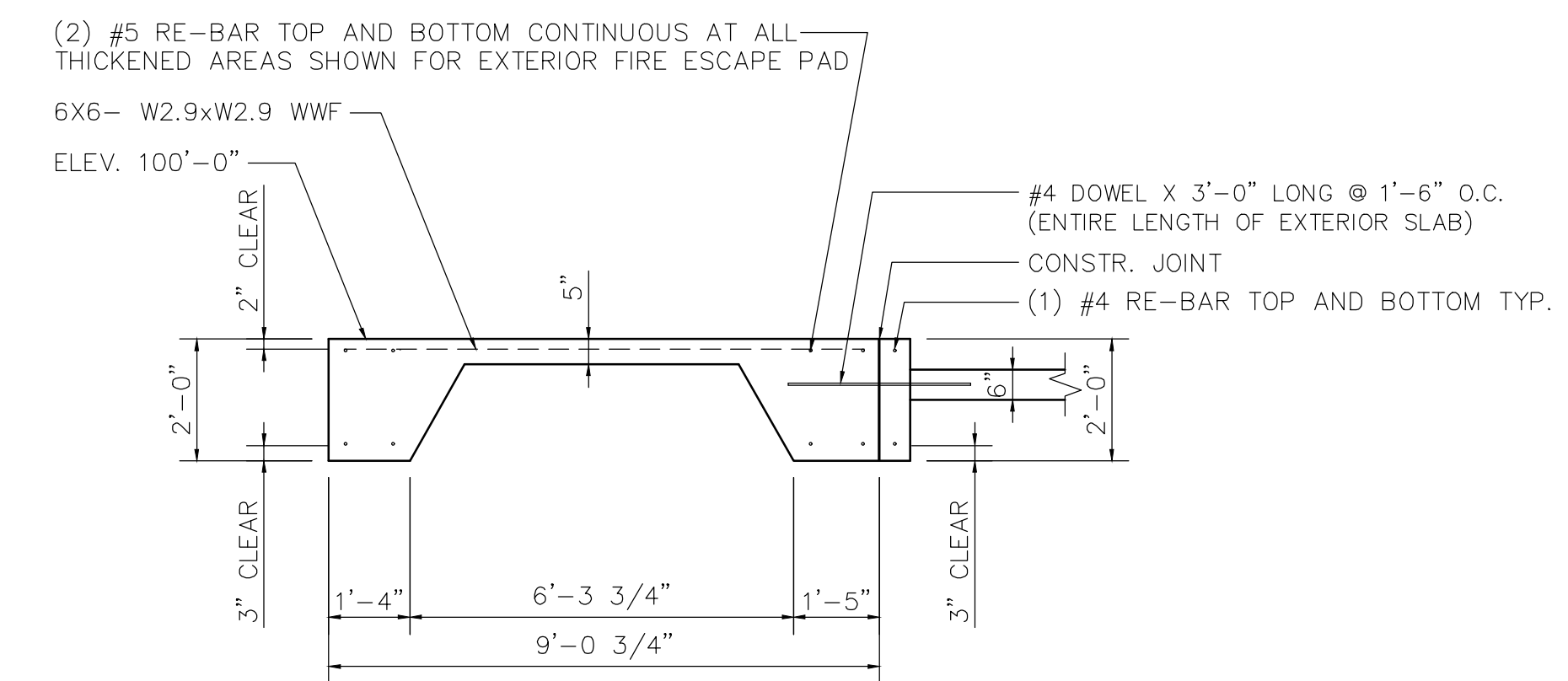
scale: 3/8" = 1'-0"



REMINDER:
PLACE 6" OF NON-FROST-SUSCEPTIBLE
FILL UNDER ALL SLABS AND GRADE BEAMS

TYPICAL SECTION B--B

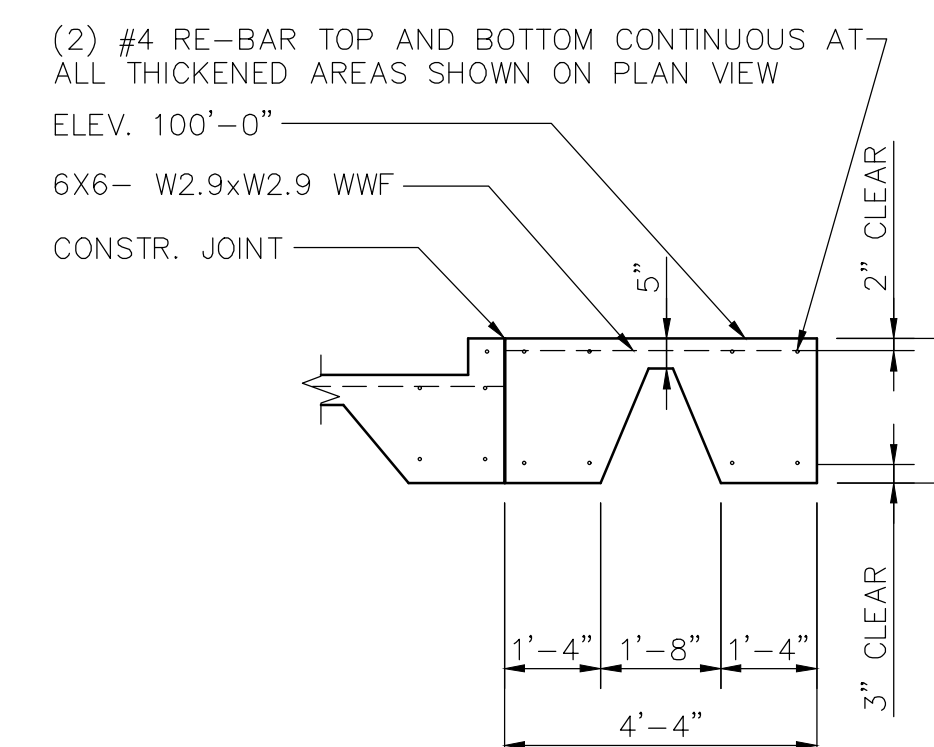
scale: 3/8" = 1'-0"



REMINDER:
PLACE 6" OF NON-FROST-SUSCEPTIBLE
FILL UNDER ALL SLABS AND GRADE BEAMS

TYPICAL SECTION C--C

SCALE: 3/8" = 1'-0"

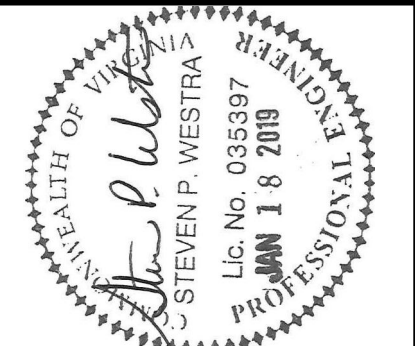


REMINDER:
PLACE 6" OF NON-FROST-SUSCEPTIBLE
FILL UNDER ALL SLABS AND GRADE BEAMS

TYPICAL SECTION D--D

scale: 3/8" = 1'-0"

REVISIONS	by
A. DOOR OPENING: 12/6/18	DWK



THIS DRAWING AND ALL PARTS THEREOF IS THE EXCLUSIVE PROPERTY OF FIRE FACILITIES, INC.
314 WILBURN ROAD, SUN PRAIRIE, WI 53590
OFFICE: (608) 327-4100 FAX (608) 834-1843
AND MAY NOT BE REPRODUCED IN WHOLE OR PART WITHOUT WRITTEN PERMISSION.

FIRE FACILITIES
STEEL FIRE TRAINING TOWERS

FIRE FACILITIES, INC.
314 WILBURN ROAD, SUN PRAIRIE, WI 53590
OFFICE: (608) 327-4100 FAX: (608) 834-1843
TOLL FREE: (800) 929-3726 TOLL FREE FAX: (866) 639-7012
WWW.FIREFACILITIES.COM; INFO@FIREFACILITIES.COM

Job Description	WESCO MODEL WH-2 CUSTOM WINCHESTER, VA
Date	NOV. 12, 2018
Drawn by	DWK
Checked by	
Scale	SHOWN
Order No.	FTE-733 / 208929
Sheet No.	